

# KENDRION

## INTORQ

POWERED BY KENDRION

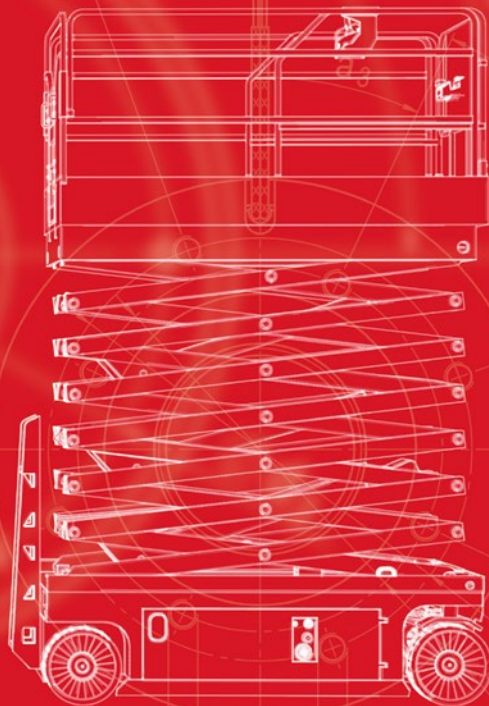
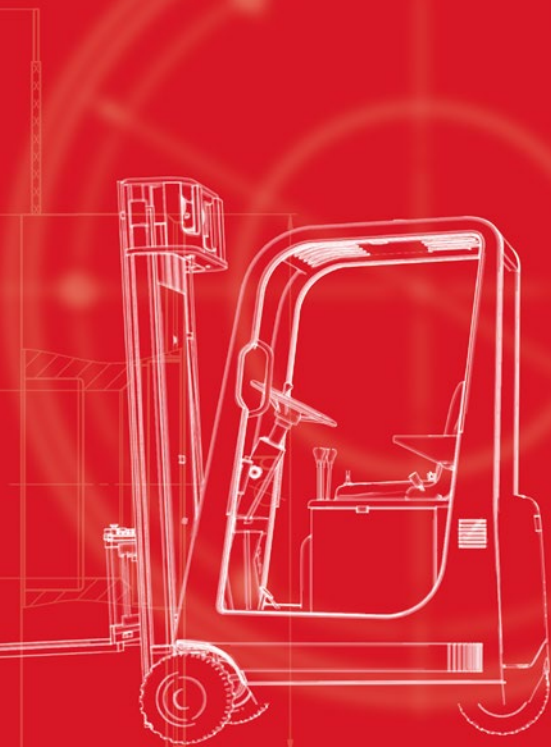


**NEW SOLUTION**

## Spring-applied brake BFK552

Slim, powerful, reliable

# Safety for your logistics applications



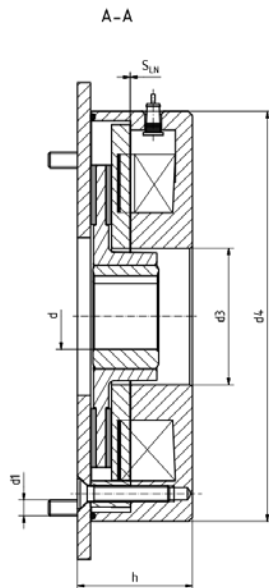
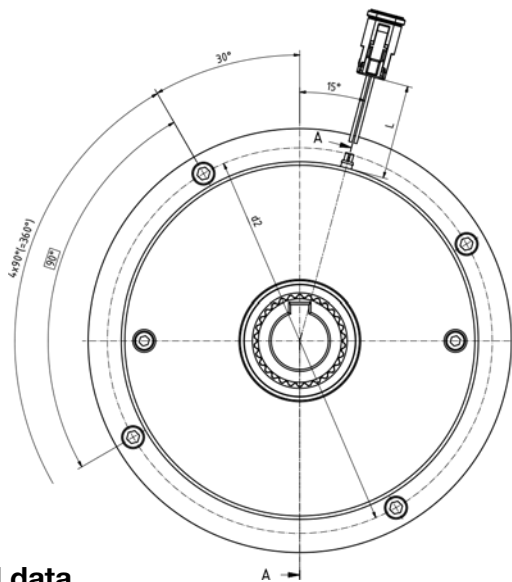
## BFK552 – compact design

Especially in drives for industrial trucks and working platforms, every millimeter counts when fitting a brake.

Slim but so powerful –  
With our BFK552 we have completed our portfolio for this application.

- Flat, compact design
- Stable braking torque over entire service life
- Extended maintenance interval due to less wear
- Water and dust protection according to IP66 (without hand release)
- Optional hand release
- Outstanding in terms of safety
- Global availability





## Technical data

Size	08	12	18
Height h [mm]	40	43.7	55
Output P [W]	50/25	80/45	150/60
Torque T nom [Nm]	15	60	180
Hubs d [mm]	11/12/14/15/20	20/25	30/35/40/45
Outer diameter (d4) [mm]	*	156	*
Pitch circle (d2) [mm]	*	168.3	*
Screw connection (d1) [mm]	*	4xM6	*

\*Detailed dimensions on request

INTORQ has been part of the Industrial Brakes Business Unit at Kendrion since early 2020.

### **Products for every requirement**

Our product portfolio includes permanent magnet and spring-applied brakes as well as clutches and electronic accessories for a wide range of applications.

### **We are the brake experts**

Both off-the-shelf products and customized solutions are part of our competencies. With over a century of experience, our strong technical team will develop the best solution for you.

### **What's important to us**

We not only want to meet the requirements of our customers, we want to exceed them. With our products, which stand for quality, efficiency and innovation, we make the world a little bit safer!



## INTORQ GmbH & Co. KG

---

Wülmser Weg 5  
31855 Aerzen  
Germany

T +49 5154 70534-222

[deae-sales@kendrion.com](mailto:deae-sales@kendrion.com)  
[www.intorq.com](http://www.intorq.com)

